

PLEASE CHECK WWW.MOLEX.COM FOR LATEST PART INFORMATION

Part Number: [0956224882](#)
Status: **Active**
Overview: [modular_plugs_jacks](#)
Description: Modular Jack, Right Angle, Fully Shielded, SMT, 8/8, Additional Panel Grounding

Documents:

[3D Model](#) [Product Specification PS-95622-001 \(PDF\)](#)
[Drawing \(PDF\)](#) [RoHS Certificate of Compliance \(PDF\)](#)
[Application Specification \(PDF\)](#)

Agency Certification

UL E107635

General

Product Family Modular Jacks/Plugs
 Series [95622](#)
 Component Type PCB Jack
 Magnetic No
 Overview [modular_plugs_jacks](#)
 Performance Category 3
 Power over Ethernet (PoE) N/A
 Product Name RJ45

Physical

Boot Color N/A
 Color - Resin Black
 Durability (mating cycles max) 500
 Flammability 94V-0
 Inverted / Top Latch No
 Keying to Mating Part None
 Lightpipes/LEDs None
 Material - Metal Brass, Phosphor Bronze
 Material - Plating Mating Gold
 Material - Plating Termination Tin
 Material - Resin High Temperature Thermoplastic
 Orientation Right Angle (Side Entry)
 PCB Locator Yes
 PCB Retention Yes
 PCB Thickness Recommended (in) 0.062 In
 PCB Thickness Recommended (mm) 1.57 mm
 Packaging Type Embossed Tape on Reel
 Pitch - Mating Interface (in) 0.040 In
 Pitch - Mating Interface (mm) 1.02 mm
 Pitch - Term. Interface (in) 0.050 In
 Pitch - Term. Interface (mm) 1.27 mm
 Plating min: Mating (µin) 120.00, 50.8
 Plating min: Mating (µm) 1.27, 3.000
 Plating min: Termination (µin) 120.00, 76
 Plating min: Termination (µm) 1.9, 3.00
 Ports 1
 Positions / Loaded Contacts 8/8
 Surface Mount Compatible (SMC) Yes
 Temperature Range - Operating -40°C to +80°C
 Termination Interface: Style Surface Mount
 Waterproof / Dustproof No
 Wire/Cable Type N/A

EU RoHS

**ELV and RoHS
 Compliant**
**REACH SVHC
 Contains SVHC: No**
**Halogen-Free
 Status**
Halogen-Free

China RoHS



**Need more information on product
 environmental compliance?**

Email productcompliance@molex.com
 For a multiple part number RoHS Certificate of
 Compliance, [click here](#)

Please visit the [Contact Us](#) section for any
 non-product compliance questions.

Search Parts in this Series

[95622Series](#)

Mates With

FCC 68 Plugs

Electrical

Current - Maximum per Contact	1.5A
Grounding to PCB	Yes
Grounding to Panel	Yes
Shielded	Yes
Voltage - Maximum	125V AC (RMS)

Solder Process Data

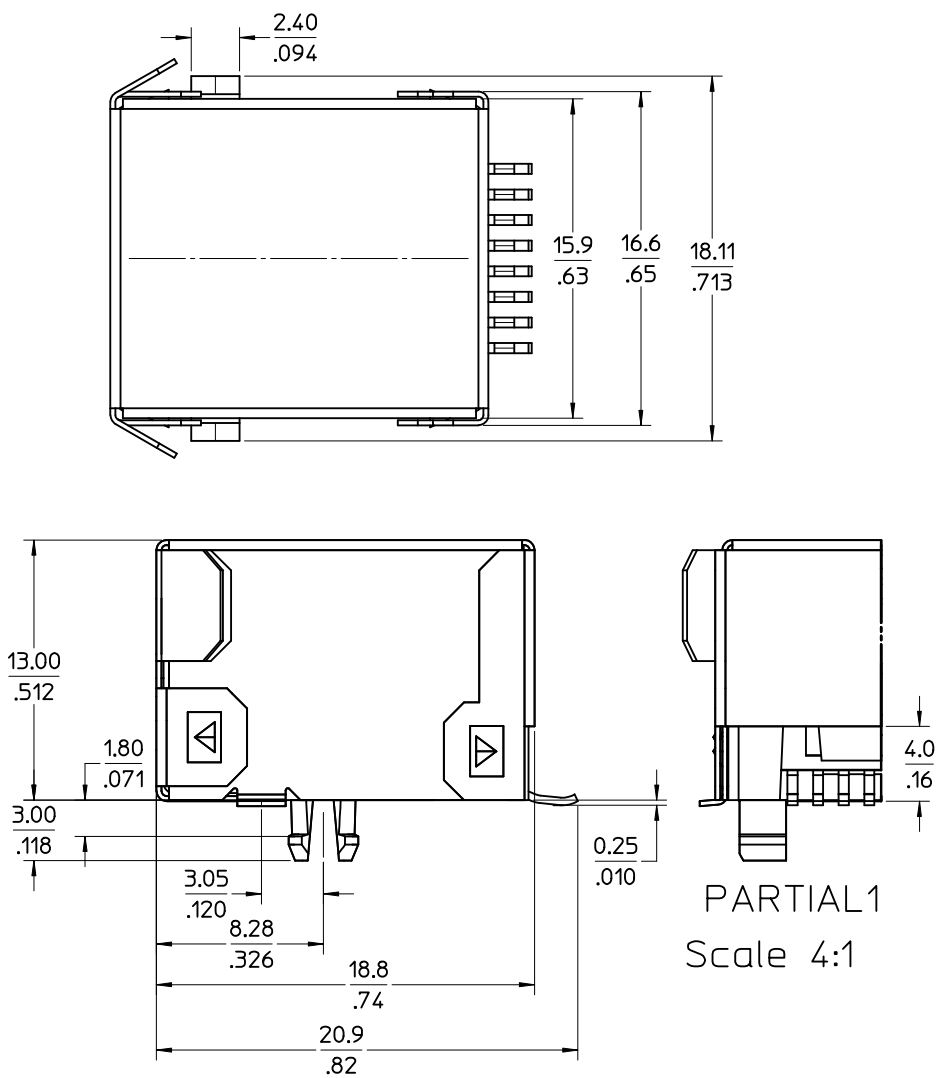
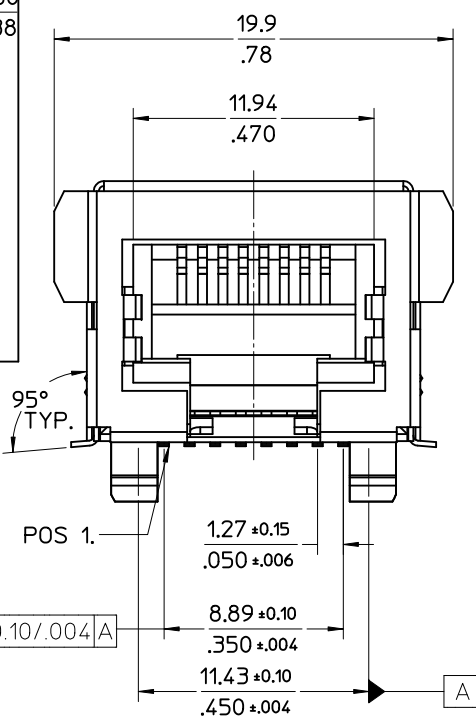
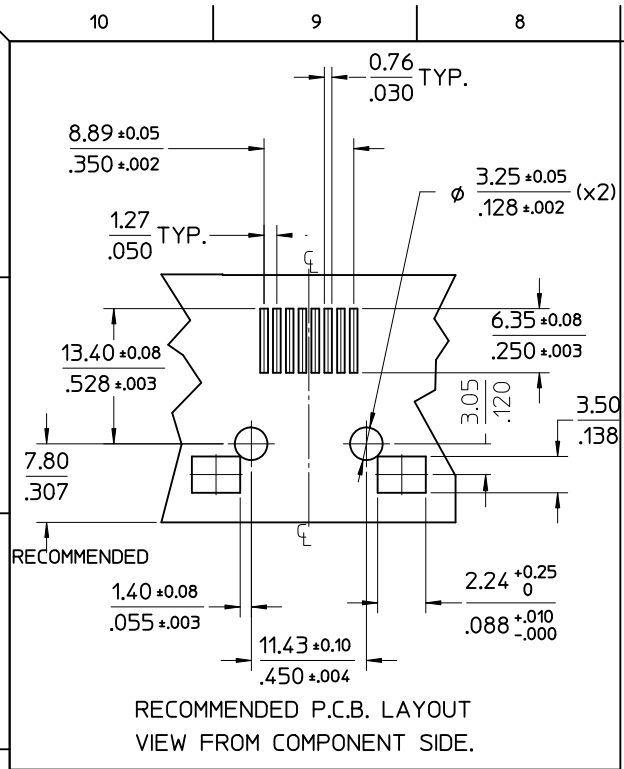
Duration at Max. Process Temperature (seconds)	45
Lead-free Process Capability	Reflow Capable (SMT only)
Max. Cycles at Max. Process Temperature	3
Process Temperature max. C	260

Material Info**Reference - Drawing Numbers**

Product Specification	PS-95622-001
Sales Drawing	SD-95622-005
Test Summary	STR-1162

This document was generated on 06/07/2010

PLEASE CHECK WWW.MOLEX.COM FOR LATEST PART INFORMATION



- NOTES:**
- JACK FOR MATING WITH SHIELDED PLUG (MOLEX 95043 AND 85568 SERIES)
 - PRODUCT SPECIFICATION: PS-95622
 - PACKAGING SPECIFICATION: PK-95122 SHEET 2 (BLISTER ON REEL)
 - P.C.B THICKNESS: 1.57/0.62
 - COPLANARITY OF SIGNAL LEADS: 0.10 MAX

TECHNICAL SPECIFICATIONS:

MATERIAL:

HOUSING: LCP GLASS FILLED UL 94V-0
COLOUR BLACK

TERMINAL: PHOSPHOR BRONZE PLATED WITH:
0.00127/.000050 MIN GOLD IN CONTACT AREA,
0.00190/.000075 MIN PURE TIN IN TAIL
AREA, BOTH OVER 0.00127/.000050 MIN NICKEL
OVERALL.

SHIELD: BRASS PLATED WITH 0.0020/.000078 MIN TIN.

≡ 0.10/.004 A

ADDED PCB DIMENSION	EC NO: E2010-0398	QUALITY SYMBOLS	▽=0
	DRW:DBYRNES 2010/05/31		∇=0
	CHKD:EOMAHONY 2006/07/28		
	APPR:EFOLAN 2010/06/08		
REV	DESCRIPTION		

GENERAL TOLERANCES (UNLESS SPECIFIED)	mm	INCH
	4 PLACES ± --- ± ---	3 PLACES ± --- ± .010
DRAFT WHERE APPLICABLE MUST REMAIN WITHIN DIMENSIONS	2 PLACES ± 0.25 ± .014	1 PLACE ± 0.35 ± ---
	ANGULAR ± 2 °	

DIMENSION STYLE		SCALE	DESIGN UNITS	THIRD ANGLE PROJECTION
MM/IN		4:1	METRIC	☉
DRAWN BY	DATE	TITLE		
DBYRNES	2006/07/27	FULLY SHIELDED SMT R/A MODULAR JACKS 8 CKT		
CHECKED BY	DATE	MOLEX INCORPORATED		
EOMAHONY	2006/07/28	DOCUMENT NO. SD-95622-005		
APPROVED BY	DATE	SHEET NO. 1 OF 1		
EOMAHONY	2006/07/28	95622-4882		
MATERIAL NO.	95622-4882	THIS DRAWING CONTAINS INFORMATION THAT IS PROPRIETARY TO MOLEX INCORPORATED AND SHOULD NOT BE USED WITHOUT WRITTEN PERMISSION		
SIZE	A3			